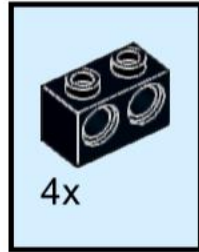
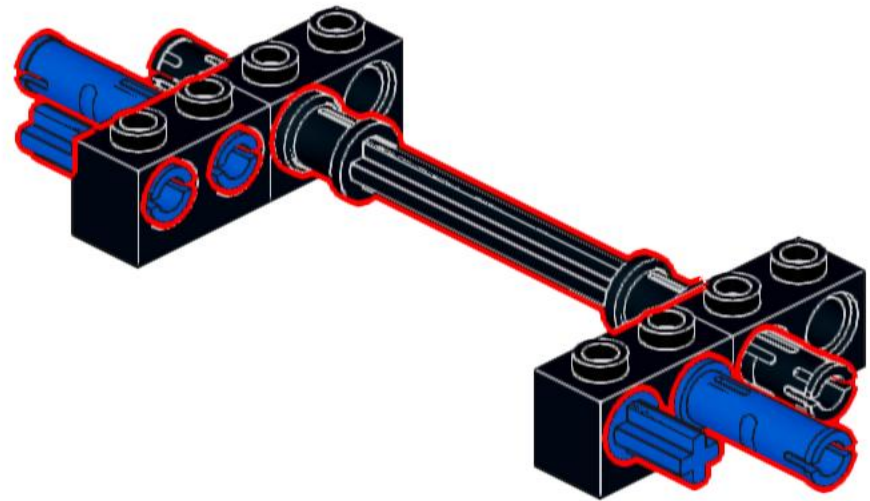
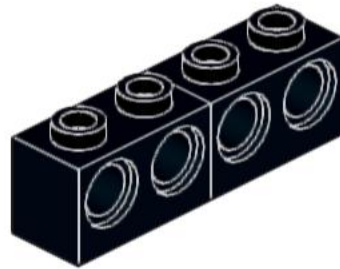
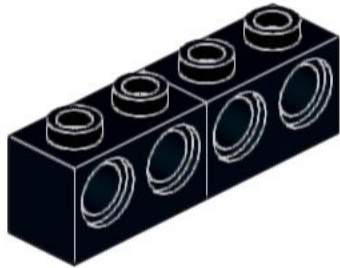
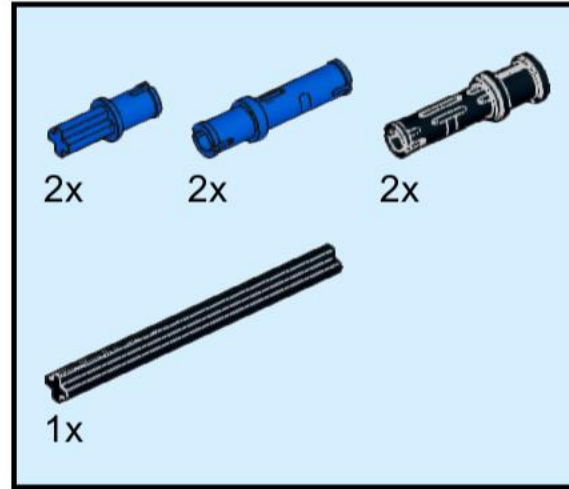


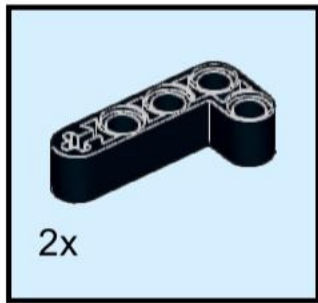
1



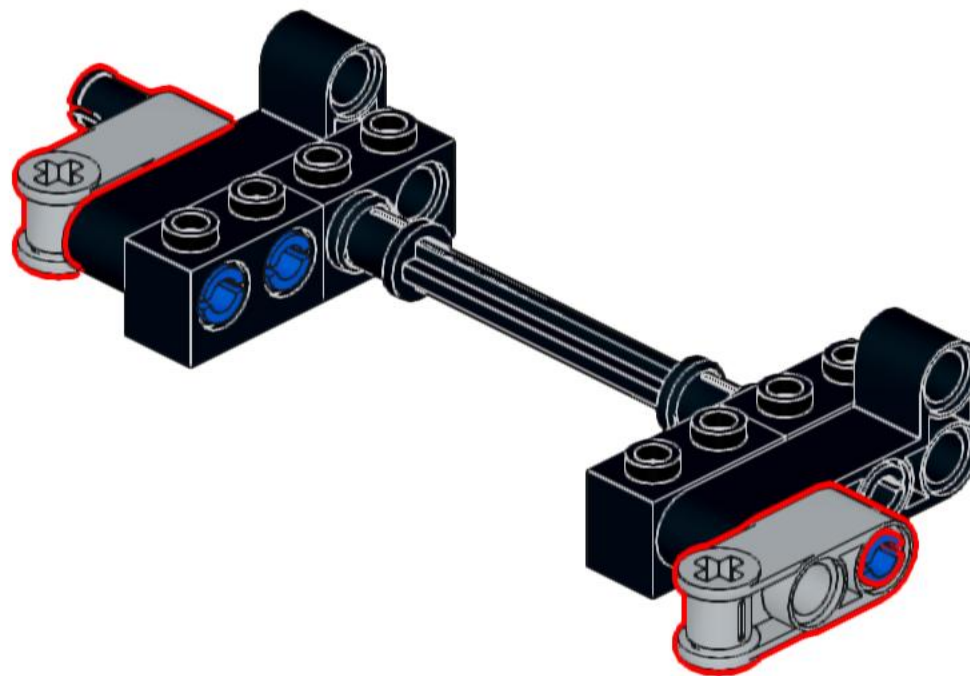
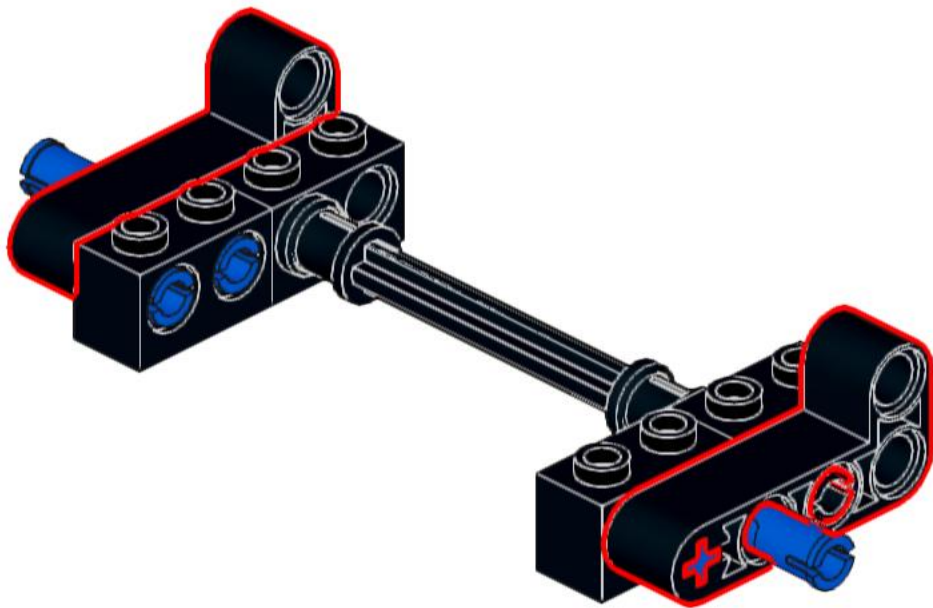
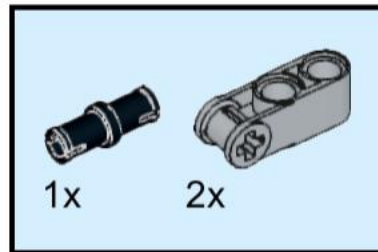
2



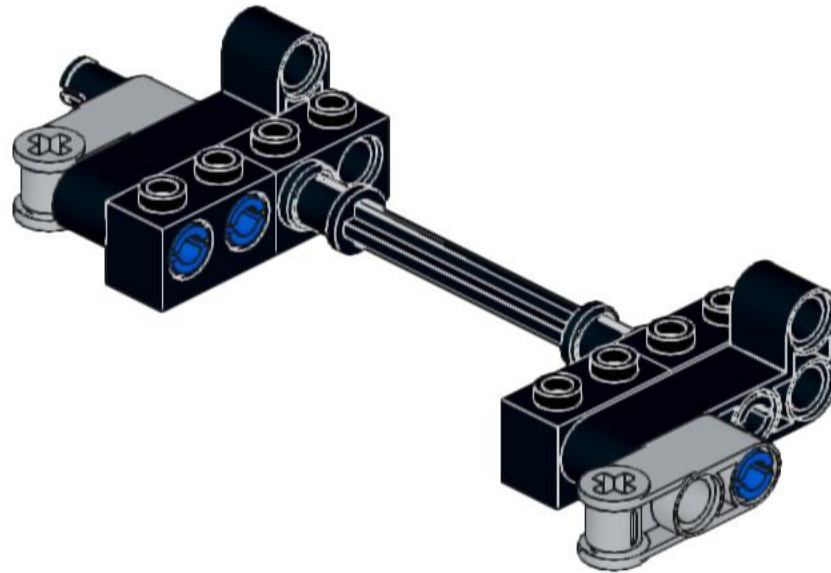
3



4

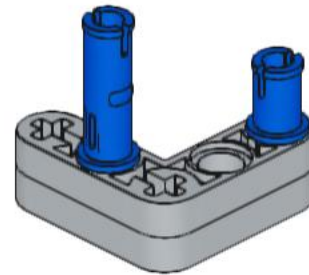
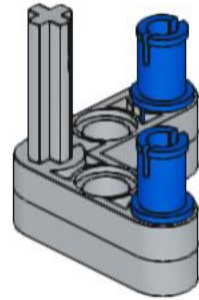
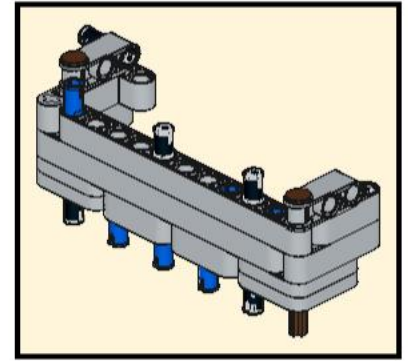
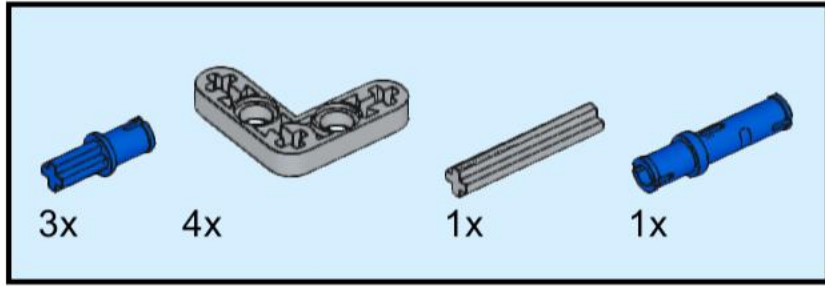


5

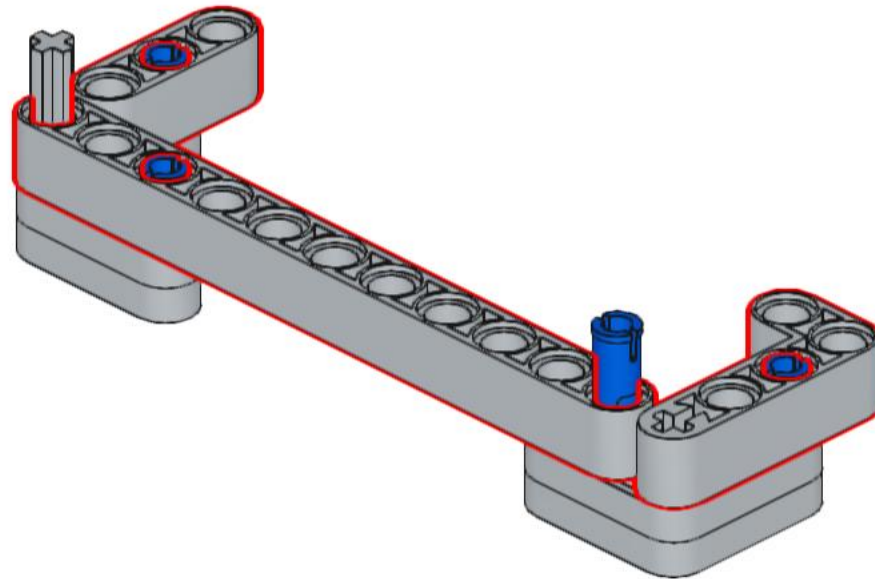
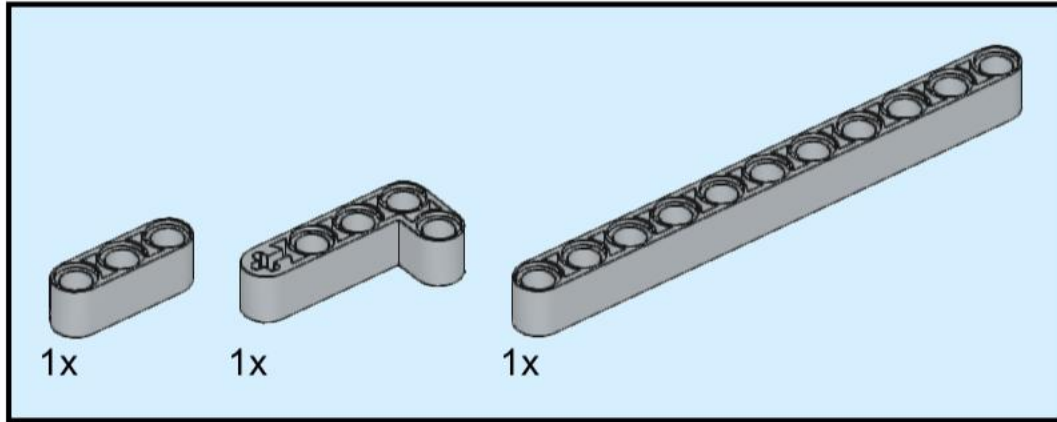


the adapted base for the battery box

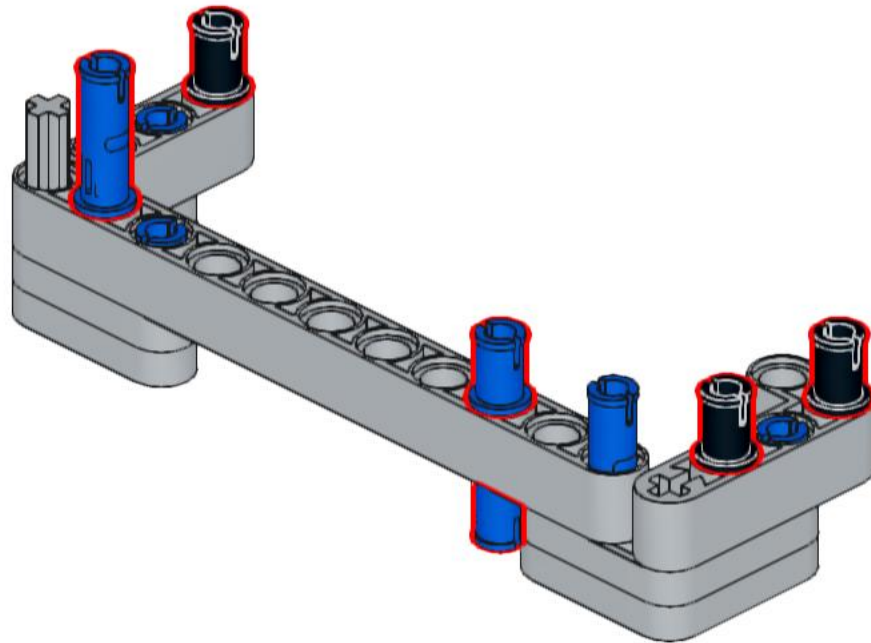
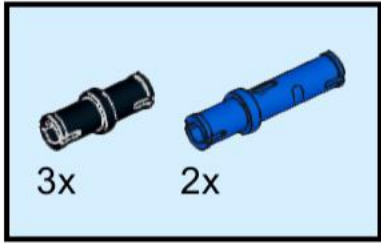
6



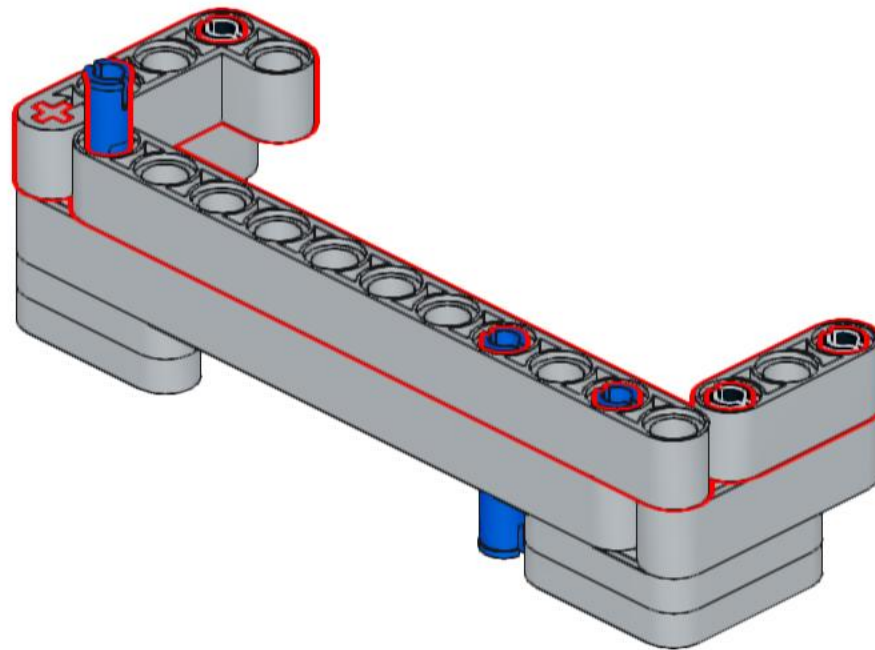
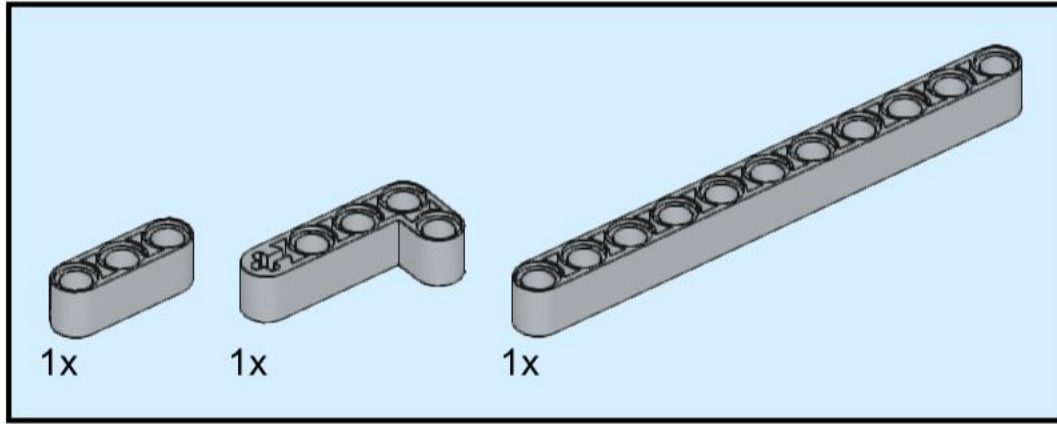
7



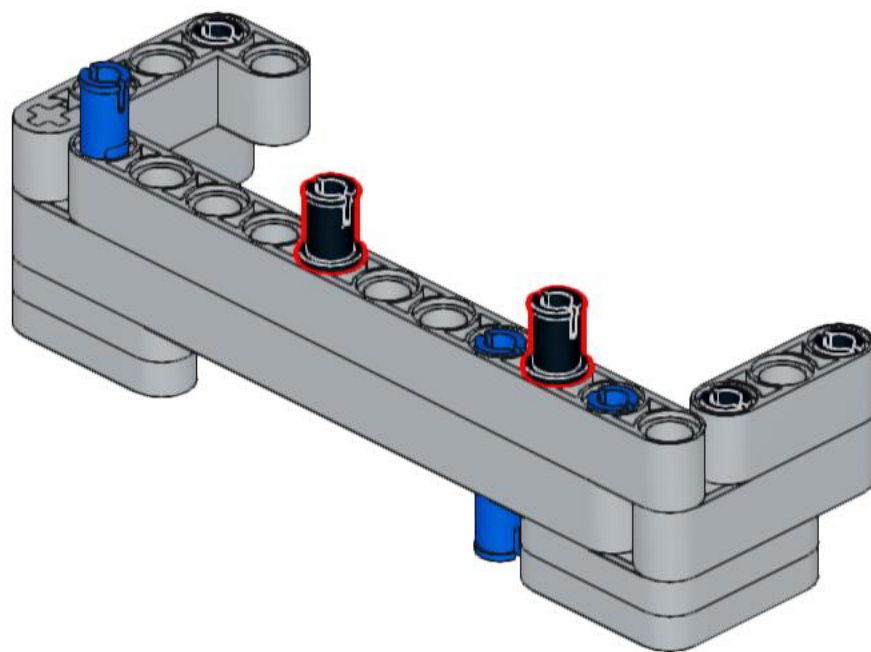
8



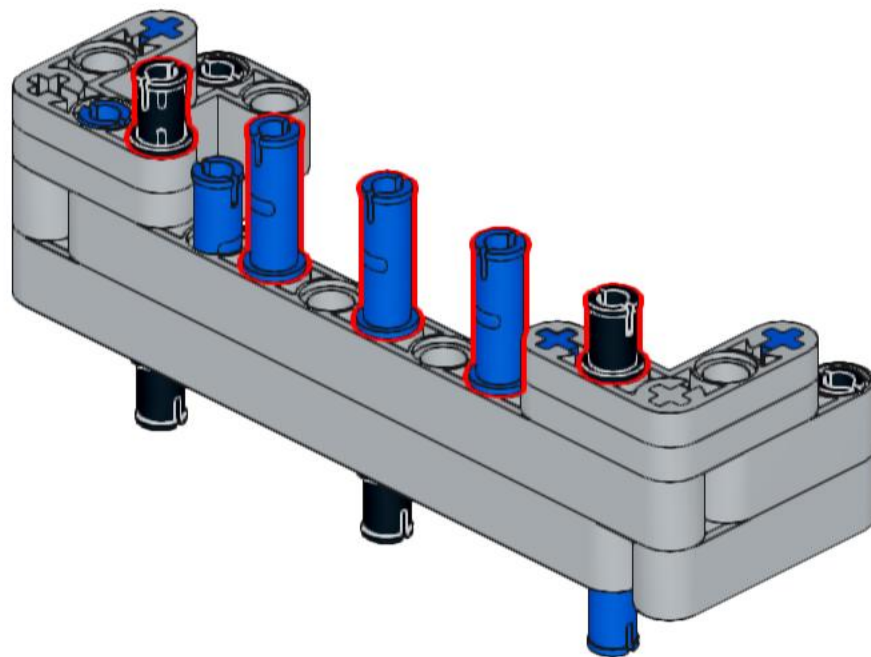
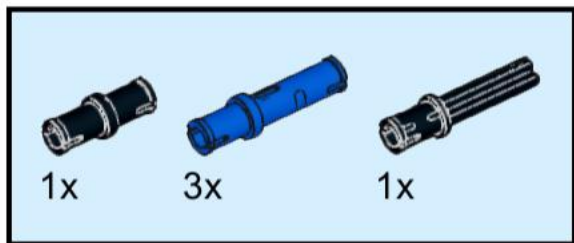
9



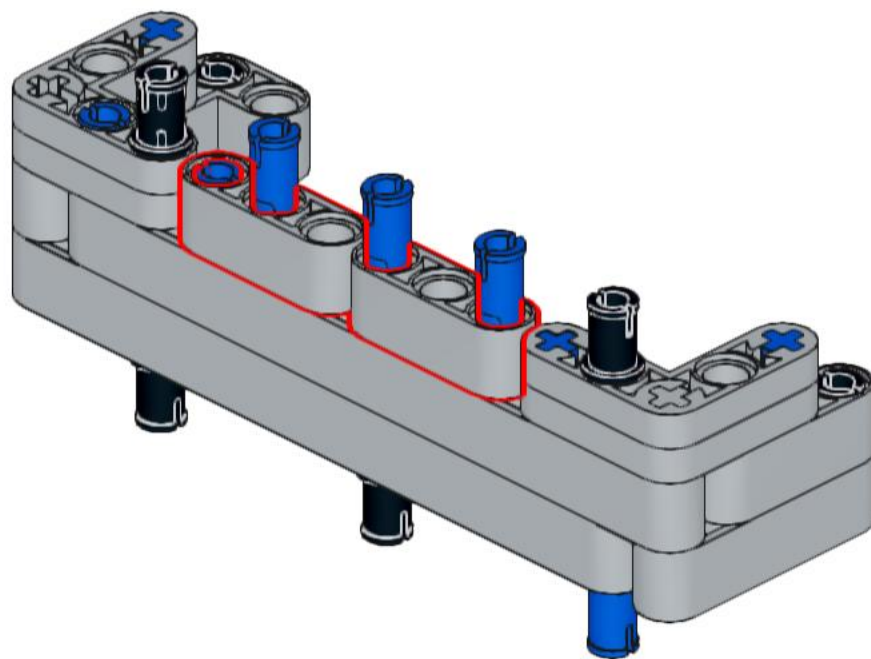
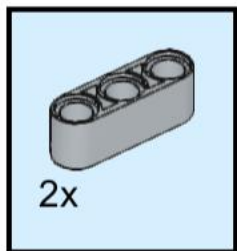
10



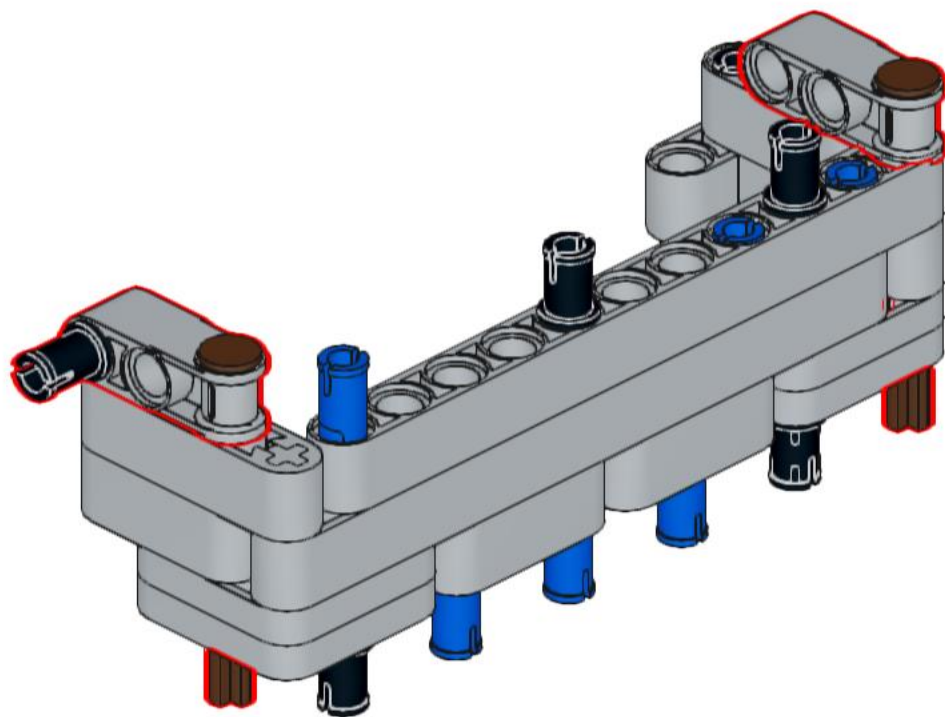
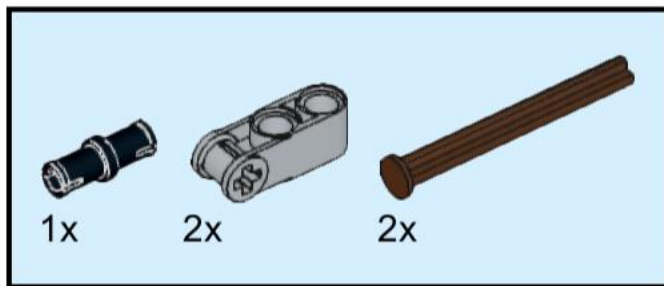
11



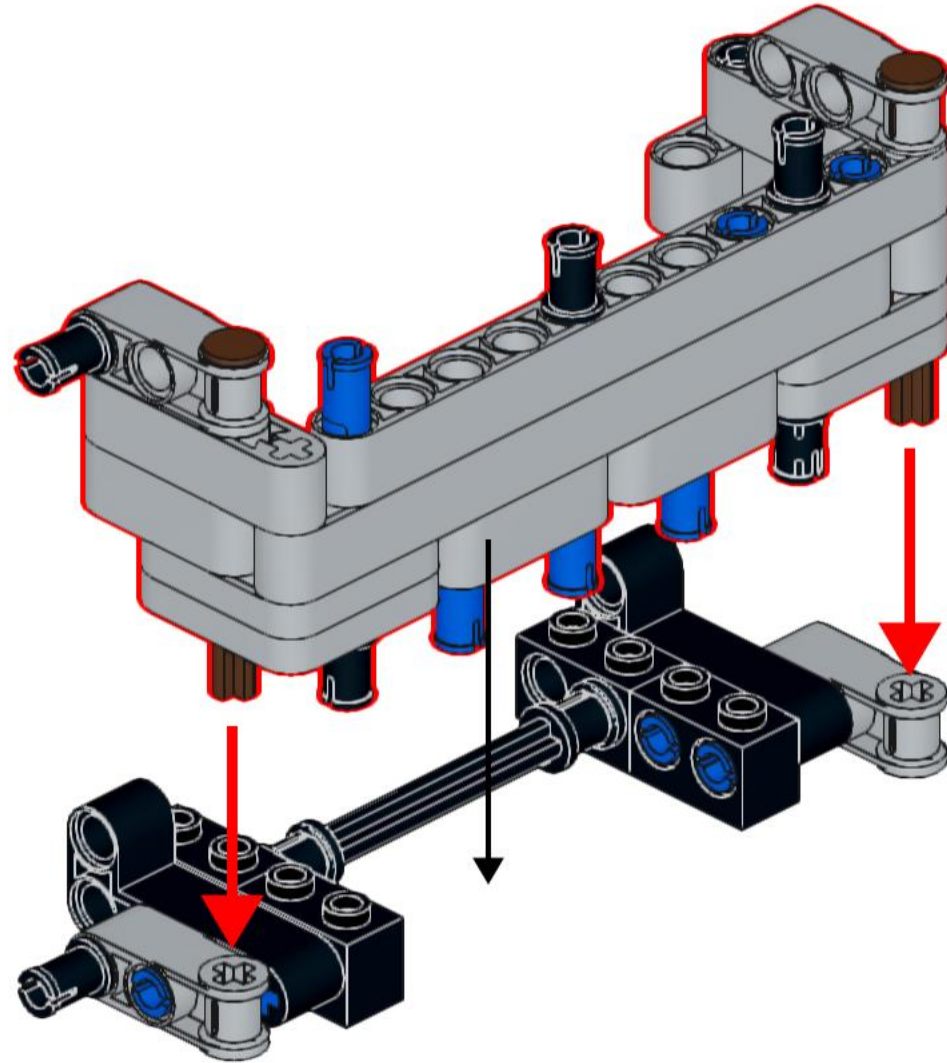
12



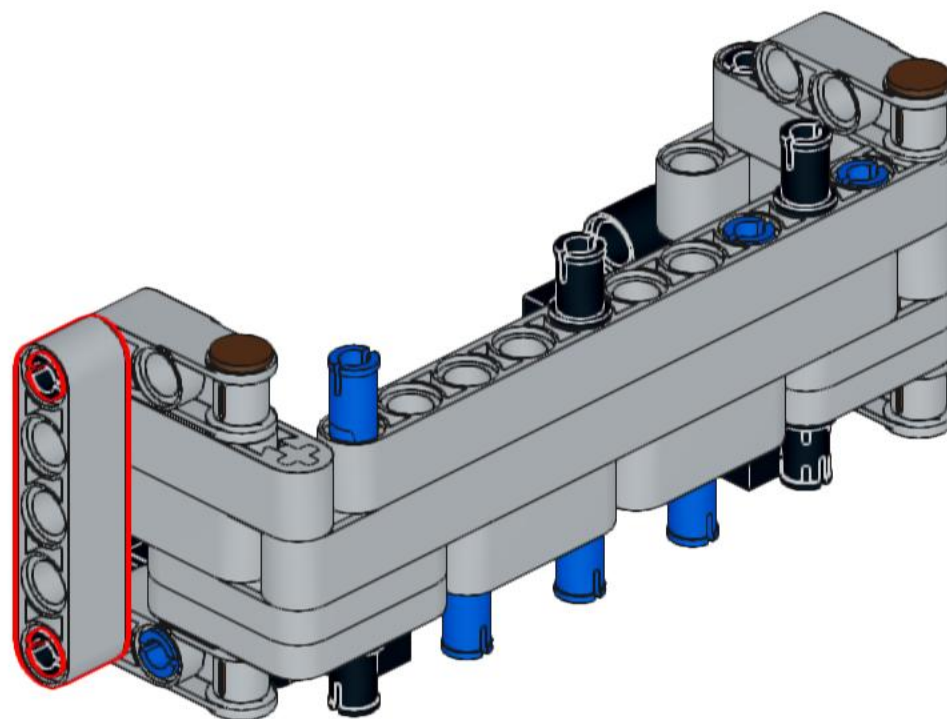
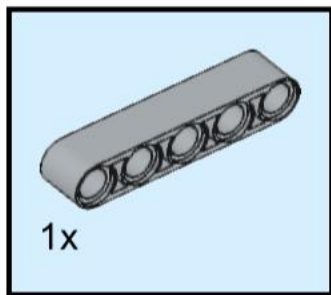
13



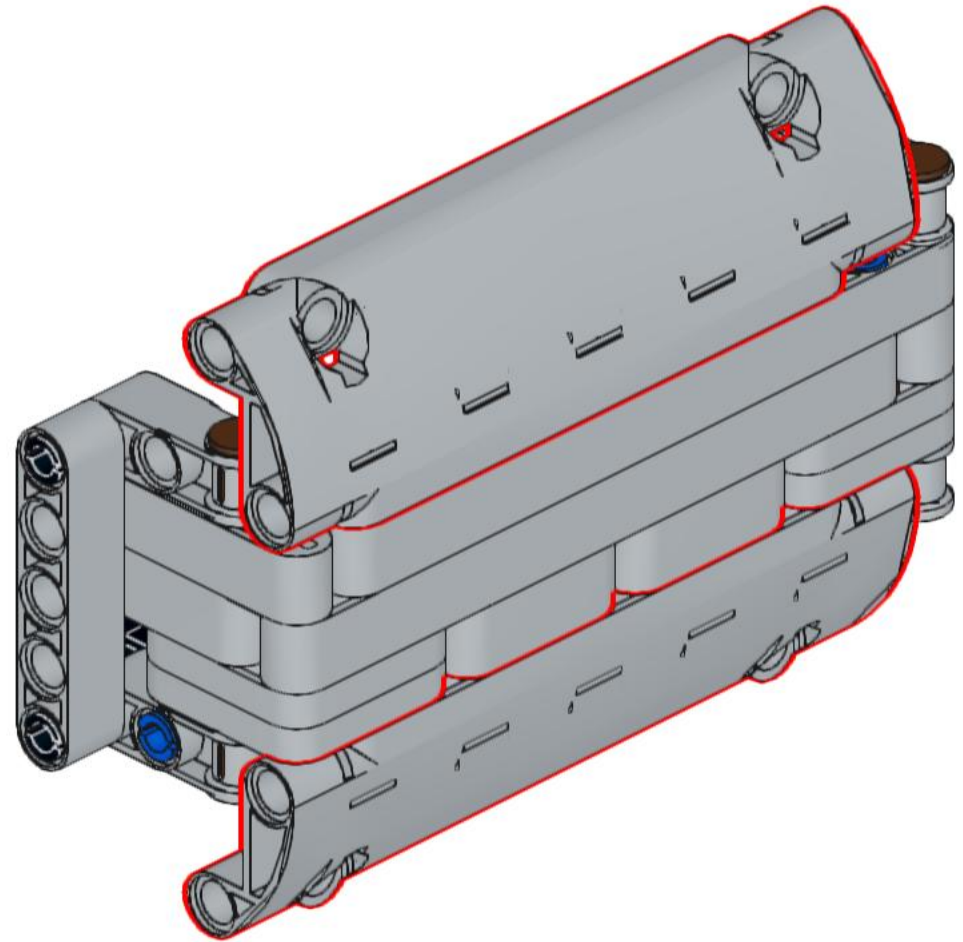
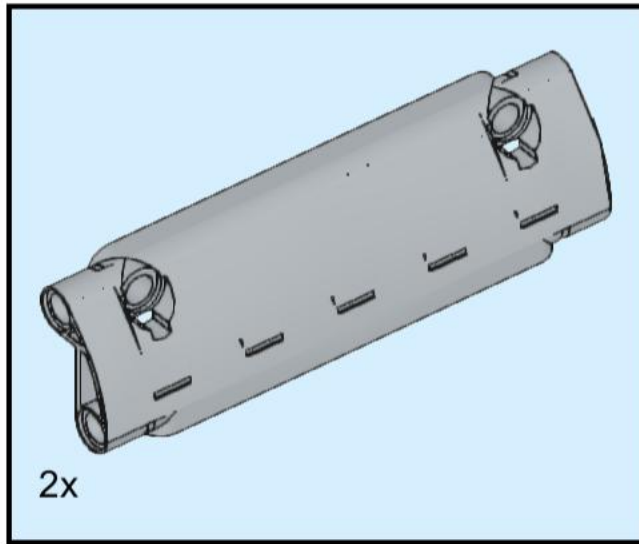
14



15



16





8x
3673, 11



4x
32000, 11



1x
18651, 11



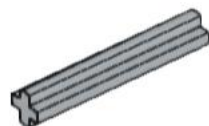
2x
32054, 11



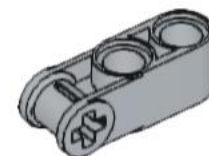
2x
32140, 11



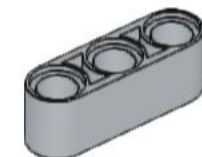
1x
3706, 11



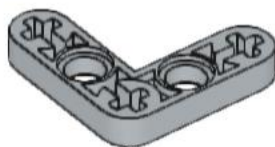
1x
4519, 86



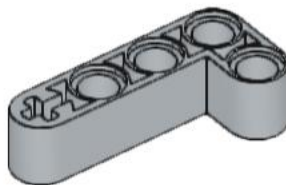
4x
42003, 86



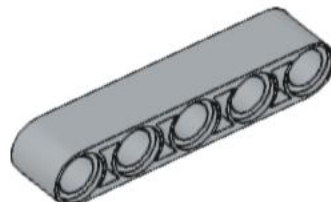
4x
32523, 86



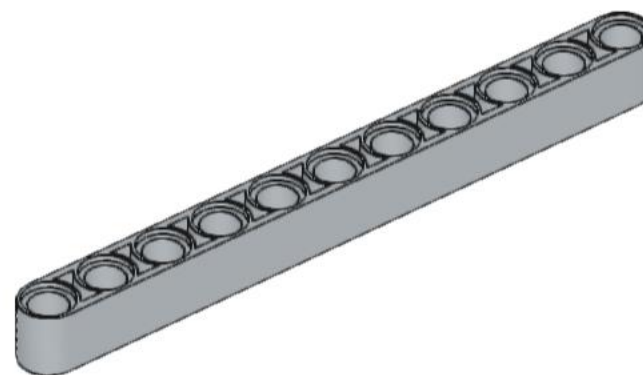
4x
32056, 86



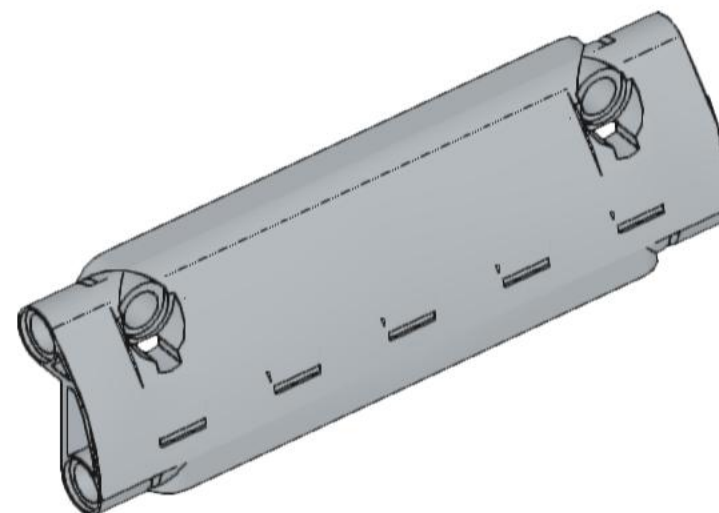
2x
32140, 86



1x
32316, 86



2x
32525, 86



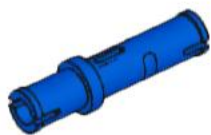
2x
62531, 86



2x
15462, 8



5x
3749, 7



8x
32556, 7